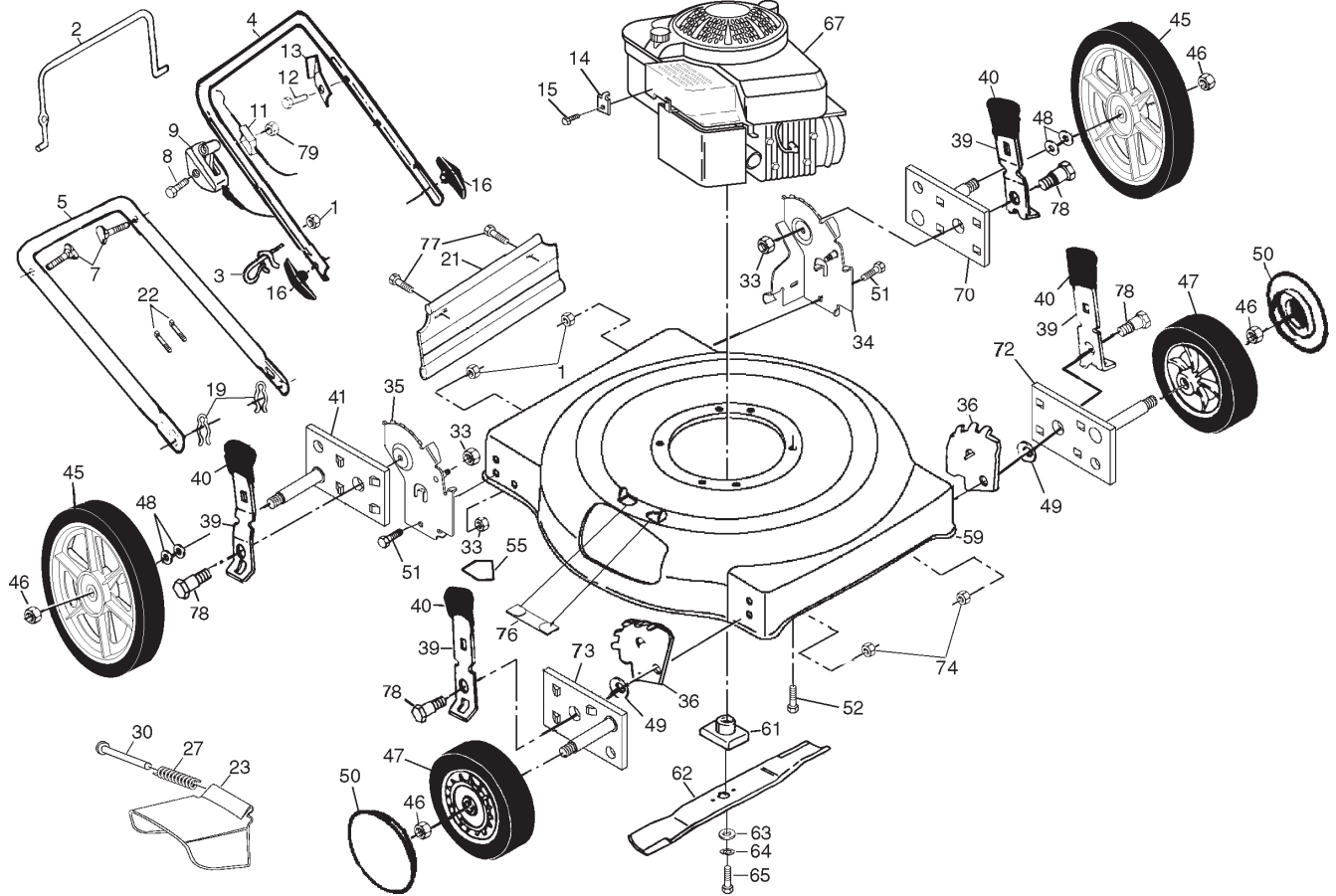


REPAIR PARTS MANUAL
MODEL NO. JR55N22SHC
Rotary Lawn Mower

PARTNER

PARTNER

ROTARY LAWN MOWER - - MODEL NUMBER JR55N22SHC



ROTARY LAWN MOWER - - MODEL NUMBER JR55N22SHC

KEY PART NO. NO. DESCRIPTION

| | | |
|----|---------------------|--------------------------------------|
| 1 | 532 06 36-01 | Locknut 1/4-20 |
| 2 | 532 08 69-02 | Control Bar |
| 3 | 532 17 95-85 | Rope Guide |
| 4 | 532 17 42-06 | Upper Handle |
| 5 | 532 17 42-91 | Lower Handle |
| 7 | 532 13 19-59 | Handle Bolt 5/16-18 |
| 8 | 532 14 49-29 | Hex Washer Head Screw 1/4-20 x 2-1/8 |
| 9 | 532 70 04-17 | Throttle Control |
| 11 | 532 13 08-61 | Engine Zone Control Cable |
| 12 | 532 75 00-97 | Hex Washer Head Screw #10-24 x 1/2 |
| 13 | 532 12 51-62 | Up-Stop Bracket |
| 14 | 532 11 11-90 | Cable Clamp |
| 15 | 532 08 38-16 | Screw #10 x 5/8 |
| 16 | 532 13 63-76 | Handle Knob |
| 19 | 532 05 17-93 | Hairpin Cotter |
| 21 | 532 16 58-58 | Rear Deflector |
| 22 | 532 06 64-26 | Wire Tie |
| 23 | 532 16 08-31 | Discharge Guard |
| 27 | 532 16 08-32 | Torsion Spring |
| 30 | 532 16 08-33 | Hinge Rod |
| 33 | 532 06 31-24 | Locknut 5/16-18 |
| 34 | 532 17 44-13 | Wheel Bracket Support (Left) |
| 35 | 532 17 44-14 | Wheel Bracket Support (Right) |
| 36 | 532 16 57-04 | Wheel Bracket Adjuster |
| 39 | 532 16 85-99 | Selector Spring |
| 40 | 532 08 78-77 | Selector Knob |
| 41 | 532 18 36-62 | Axle Arm Assembly (RR) |
| 43 | 819 11 22-06 | Washer |
| 45 | 532 18 02-06 | Wheel Assembly (Rear) |

KEY PART NO. NO. DESCRIPTION

| | | |
|----|---------------------|--|
| 46 | 532 08 39-23 | Locknut 1/16-18 |
| 47 | 532 14 62-47 | Wheel Assembly (Front) |
| 48 | 532 05 71-43 | Washer |
| 50 | 532 07 74-00 | Hubcap |
| 51 | 874 76 05-14 | Hex Head Bolt 5/16-18 |
| 52 | 532 15 04-06 | Hex Head Thread Rolling Screw 3/8-16 x 1 |
| 55 | 532 14 18-46 | Danger Decal |
| 59 | 532 17 42-66 | Lawn Mower Housing (Incl. Key Nos. 55) |
| 61 | 532 85 15-14 | Blade Adapter |
| 62 | 532 14 11-14 | 22" Blade |
| 63 | 532 85 10-74 | Hardened Washer |
| 64 | 532 85 02-63 | Helical Lockwasher 3/8 |
| 65 | 532 85 10-84 | Screw Hex Head 3/8-24 x 1-3/8 (Grd. 8) |
| 67 | --- | Engine - Briggs & Stratton Model No. 12H802 (Order parts from engine manufacturer) |
| 70 | 532 18 36-61 | Axle Arm Assembly (LR) |
| 72 | 532 16 86-05 | Axle Arm Assembly (LF) |
| 73 | 532 16 86-04 | Axle Arm Assembly (RF) |
| 74 | 532 75 11-53 | Nut |
| 76 | 532 16 16-22 | Clip, Closeout |
| 77 | 874 76 04-12 | Screw |
| 78 | 532 16 08-28 | Shoulder Bolt |
| 79 | 532 13 20-04 | Nut, Hex 1/4-20 |
| -- | 532 16 10-58 | Warning Decal (Not Shown) |
| -- | 532 17 27-82 | Operator's Manual (English) |
| -- | 532 17 27-84 | Operator's Manual (Spanish) |
| -- | 532 18 36-53 | Replacement Parts Manual |

NOTE: All component dimensions given in U.S. inches.
1 inch = 25.4 mm